



Pressure regulator U42 F - G 1 1/4 m

Product features

- Dome loaded diaphragm line pressure regulator
- For non corrosive industrial gases
- Remote controlled pressure regulation (e.g. process control or cutting machines)
- For flow rates up to 2.200 m³/h air
- Pressure control with separate gas by small pressure regulator ST2000
- Single-stage with high control accuracy
- Outlet pressure reduction by vent valve at the pilot pressure regulator ST2000
- Central filter in the pressure regulator
- Pressure regulator with integrated relief valve
- Wall brackets available as accessory
- Approved for use with oxygen

Technical data

Type	single-stage
Flow rate Q	max. 2200 m ³ /h
Inlet pressure P₁	max. 40 bar
Outlet pressure P₂	max. 0,5 ... 30 bar
Materials	
Body:	brass
Valve seat:	PTFE
Diaphragm:	EPDM
Connections	
Inlet:	G 1 1/4 male
Outlet:	G 1 1/2" male
Pressure gauge ports (body):	G 1/4" female
Outlet relief valve:	G 3/8" male
Temperature range	-20°C to +60°C
Leak rate	≤10 ⁻⁴ mbar l/s He
Weight	ca. 14 kg

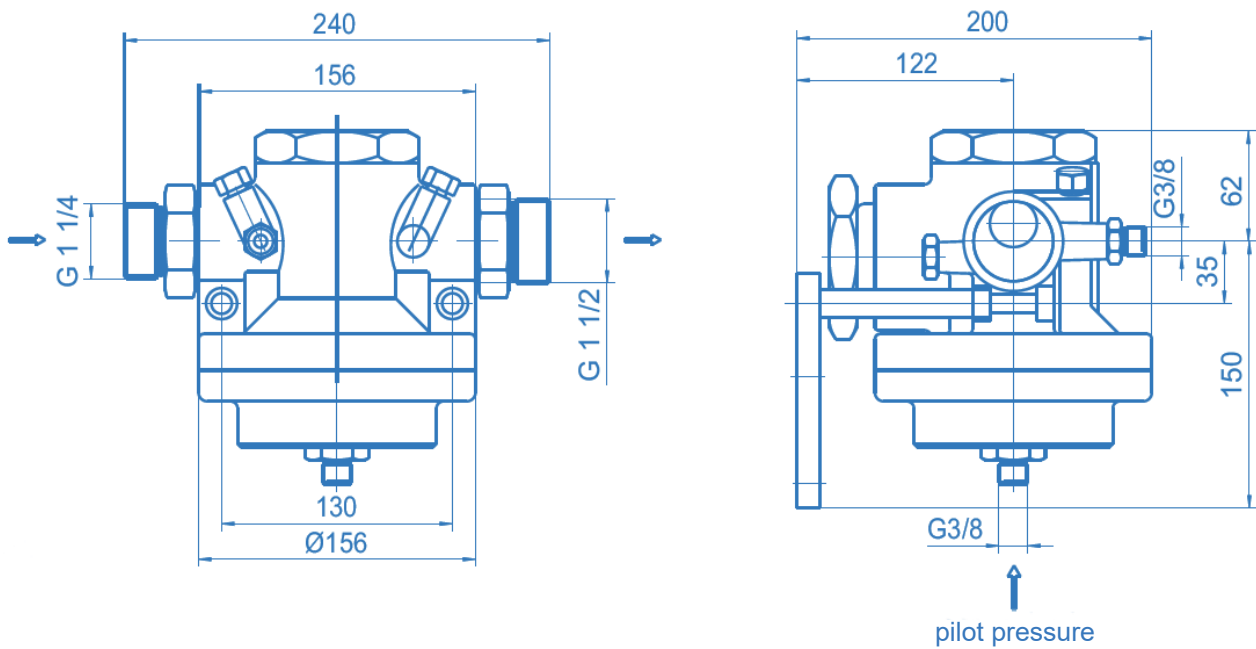
Performance factors for evaluation of flow rates for pressure regulator U42 F

Performance factor	L ₅ (5% pressure drop)	10
	L ₁₀ (10% pressure drop)	11,5
	L _{max}	13
Outlet pressure variations [%] relating to inlet pressure variation		5,0

The outlet pressure and accordingly the accuracy will be determined by the pilot pressure regulator ST2000 (see data sheet).

Dimensions and connections

Dimensions with **wall bracket 512.45350**
(as accessory available)



Ordering information: Pressure regulator U42F

U42 F - G 1 1/4 m

In- and outlet fittings:
see data sheet "fittings"

In- / outlet

Art. no.

G 1 1/4 m

inlet: G 1 1/4" male

60BE0038

outlet: G 1 1/2" male

Diagram for separate gas controlled dome loaded pressure regulator

